

SARC RADIO NET NUMBERS / CHECK-INS

Weekly HF Dawn Patrol – 42 For week ending Thur 15FEB2024.

Monday – 3

Tuesday – 4 (See report)

Wednesday – 2 ()

Thursday- 2 (See report)

- 0 - 2m Parrots Nest

- 0 – 2m Woodburn

- 2 – 70cm Parrots Nest

Friday 80m (After Dark Net) – (See report)

SARC nets and times: <https://sarc.org.au/nets-broadcasts/>

SARC repeater information: <https://sarc.org.au/repeaters/>

CALENDAR NOTES

Events of interest to SARC are in **BLUE & RED**

Other events of interest for our subscribers are in **GREEN**

Tuesday - Net Report

DIGITAL MODES

- Paul VK2AMT

TUESDAY 13 FEBRUARY, 2024

UPCOMING EVENTS

CLICK ON EVENT NAME TO OPEN

CQ WW 160M SSB

FEB 23rd 2200 UTC - 25th 2200 UTC

ARRL DX SSB

MAR 2nd 0000 UTC - 4th 2359 UTC

YB DX RTTY CONTEST

MAR 9th 0000 UTC – 2395 UTC (24 hrs)

COMMONWEALTH (BERU) CONTEST

MAR 9th 1000 UTC - 10th 1000 UTC

COMMITTEE MEETING

MAR 10th 1300 hrs

JOHN MOYLE MEMORIAL FIELD DAY

MAR 16th 0100 UTC - 17th 0059 UTC

Tonight, logging in with Paul VK2AMT as VK2SRC were: Jo VK2ZJJ and Duncan VK2DLR. We had our normal couple of overs on 2 metres Parrots Nest before we QSY'd to our frequency on 40 metres, 7.050, for another session with Olivia 8-500. Jeff was waiting there.

fldigi ver4.1.27.08 - VK2SRC

File Op Mode Configure View Logbook Help

0.000 Freq 1500 On Off 1007 In 599 Out 599 Cnty/Cntry Notes

USB Call Op Az

Qth St Pr L

Yes, a member may not be able to help on the physical side but could monitor the freq for safety calls.

Let us know Paul when you're ready and we'll see if Dave could set it up, or we look into a private chat. I relied on club members to get me going on dignet. I think I'd still be working it out by myself. "Stood on shoulders..." I think is the Newtonian quote.

Good idea on the info days/ meetings. Could be Zoomed as well if needed for beginners.

Back to Paul.
With gap for others.
VK2SRC de VK2NU
6T s[UyVv%.....Yes, a Zoom session

way to explain certain issue a new operator may have trouble with.

One think the Signalink is good at is audio in/out.
CAT control needs other external cables and software.
CAT cable and software to suit.
CAT control is very handy/essential for FT8.
Not needed for Fldigi normally.
A private chat could be good to start with.

I was wondering Jeff, would you use the TS2000 and that Signalink or try the single USB cable on the other rig?
CAT control is very useful when changing bands,
you do quite a bit of that as condition are constantly changing.

Over to dk, nu.
de VK2SRC k~r

RsID CQ ANS H QSO H KN H SK H Me/Qth Brag T/R Tx Rx TX H

500 1000 1500 2000 2500 3000 3500 4000 4500 5000 5500

WF 0 66 x1 NORM 1500 QSY Store Lk TR

OLIVIA-8/500 -11.0 AFAC SQL

The noise at my QTH was S4-5. Duncan came in at S8 and S/N ratio of about +13 or so. Jeff was S7 and S/N of +9. These were excellent numbers. I was still using the Hustler 4BTV vertical. One topic of conversation was keeping hydrated when outside in the current hot weather. Electrolyte loss was also mentioned, particularly after heavy work. Working, on a repeater site, or on a portable operation, for example a horse enduro, brought home the risks of operating solo. Injuries, snakebite, all sorts of potential problems can occur and ideally there should be another person there. That other person need not be another amateur operator, just someone who could help when needed.

Another topic was the potential use of Zoom to demonstrate various amateur radio topics. One was planning to explore the weak signal digital mode FT8. I know it's not everyone's favourite, but it is a fun way to send and receive signals from all around the world. Another excellent night's keyboard chat. Jeff said cheerio at 9.20 or so and Duncan and I carried on till 9.55. Thanks as always to Duncan and Jeff for keeping the net alive.

- Cheers from VK2AMT (as VK2SRC)

Thursday Single-Band Report

- Paul VK2AMT

Paul VK2AMT called on a couple of repeaters, 2 metres Parrots Nest and Woodburn. No-one was there. I then tried 70cm Parrots Nest and Dave VK2ZDR was there, so we had a one-repeater net. An interesting topic of conversation was Dave's Kings brand 15 litre portable fridge, ideal for keeping drinks and food items cool during weekends or days when you are working outside.

- Cheers from VK2AMT

Friday After Dark Net Report

- Jeff VK2WSR

The Friday After Dark (AD) Net numbers for Friday night 15-2-24 were 11.

VK2WSR Jeff, VK2CVD Steven, VK2YHP Jim, VK4KB Ken, VK4FABG Warren, VK2XI Andrew, VK2MBJ Brian, VK2ZDR Dave, VK4BT Peter Jr, VK4GCR Ralf and VK4MEE Eric called in but did not return.

Communications were back to normal standards with the crashing and bashing on 80m, but good signals all-round. The weather, storms, computer connectivity, interference, motorsport watching for the weekend, the listing of AR competitions on the AD net and ARRL Handbook history were some of the topics up for discussion this week.

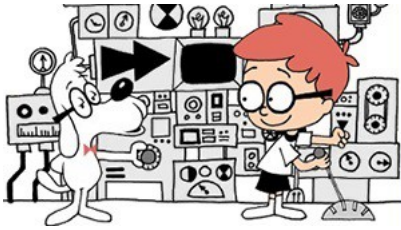
Sounds expansive?

Why not add your voice to the discussions on Friday nights at 8pm VK2 time, 7pm in VK4?

- Cheers All. Jeff VK2WSR

OTHER INTERESTING BITS Click on the 4 images below to open.





WABAC MACHINE

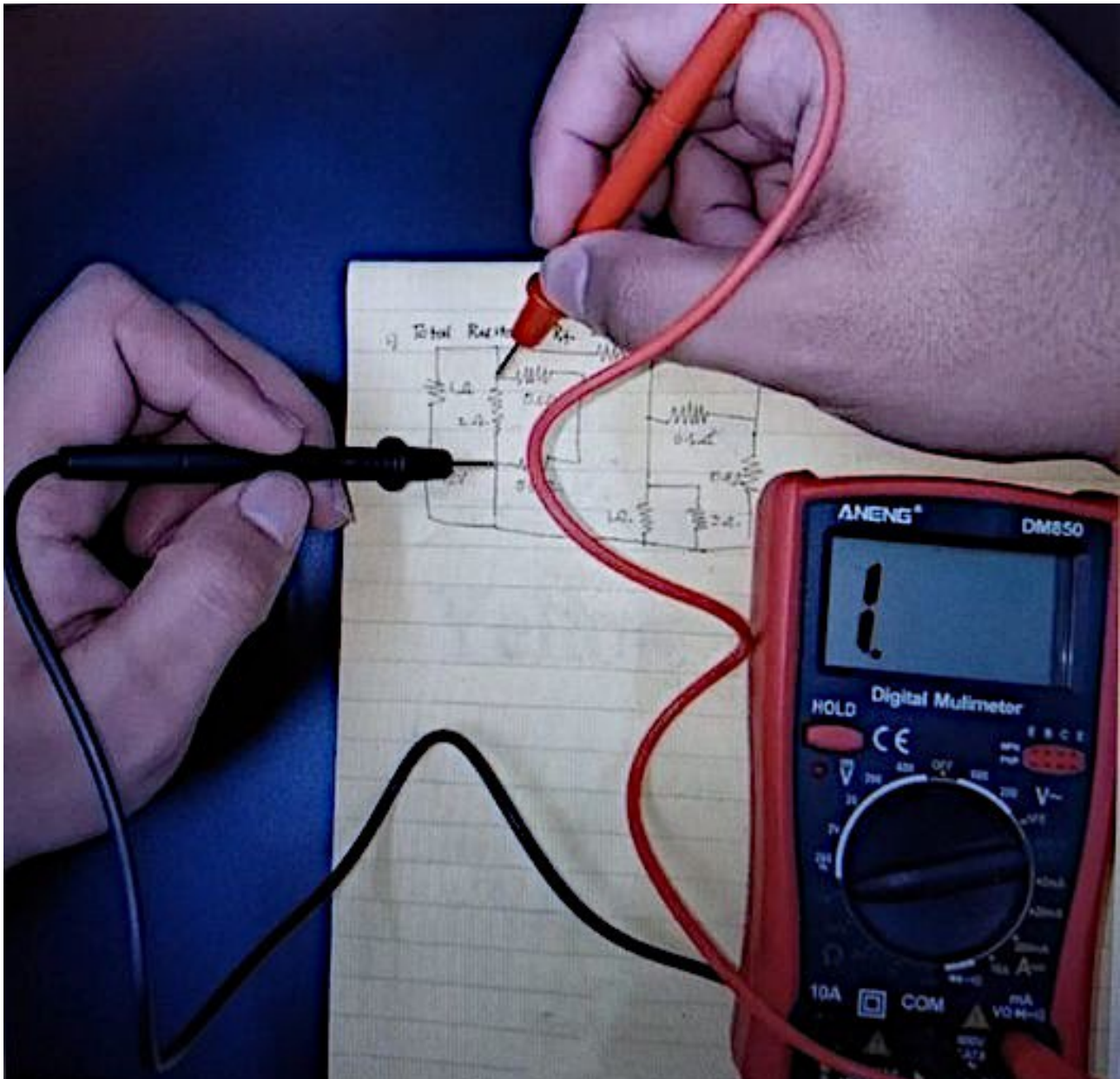
Click here to see where it will take you

6-DAY LISMORE (FORECAST). Click image to open METEYE (2480 for East Lismore).



Forecast for East Lismore

	Tue. 20 Feb	Wed. 21 Feb	Thu. 22 Feb	Fri. 23 Feb	Sat. 24 Feb	Sun. 25 Feb
Max (°C)	27	29	32	35	33	28
Min (°C)	19	18	19	21	22	20
Chance of rain (%)	90	70	50	40	80	60
Rainfall range (mm)	1 to 15	0 to 4	0 to 1	0 to 1	0 to 20	0 to 1



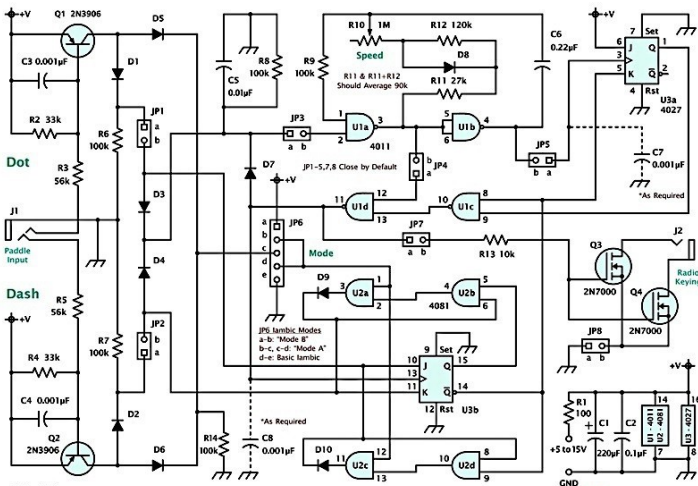
... I thought I would create a bit of fun for the Newsletter. ... I enjoy watching Mastermind on SBS TV, you may have wished for a contestant to have the special subject of Amateur Radio. Sadly this hasn't happened yet so I reverted to AI and ask Chat GPT to come-up with "15 Mastermind Questions with Amateur Radio as the special subject" and this is what I got back.

1. ****What is the primary purpose of QRP operation in amateur radio?***
- Answer:
2. ****Which organization allocates and regulates amateur radio frequency bands worldwide?***
- Answer:
3. ****What is the significance of a QSL card in amateur radio communication?***
- Answer:
4. ****Define the term "DX" in the context of amateur radio.*****
- Answer:
5. ****What unit is commonly used to measure radio frequency in amateur radio?***
- Answer:
6. ****Differentiate between VHF and UHF frequency bands in amateur radio.*****
- Answer:
7. ****In amateur radio communication, what does the RST code represent?***
- Answer:
8. ****What Morse code prosign indicates the end of a transmission?***
- Answer:
9. ****What is the maximum power output allowed for a Technician-class amateur radio operator in the United States?***
- Answer:
10. ****Which organization coordinates amateur radio emergency communications globally?***
- Answer:
11. ****What is the primary mode of digital communication used in amateur radio?***
- Answer:
12. ****Which amateur radio band is typically used for long-distance communications via ionospheric propagation?***
- Answer:
13. ****What is the purpose of the "CQ" call in amateur radio communication?***
- Answer:
14. ****Which amateur radio band is known as the "10-meter band"?***
- Answer:
15. ****Expand the abbreviation APRS in amateur radio.*****
- Answer:

How did you go. To view the answers, click on this link:

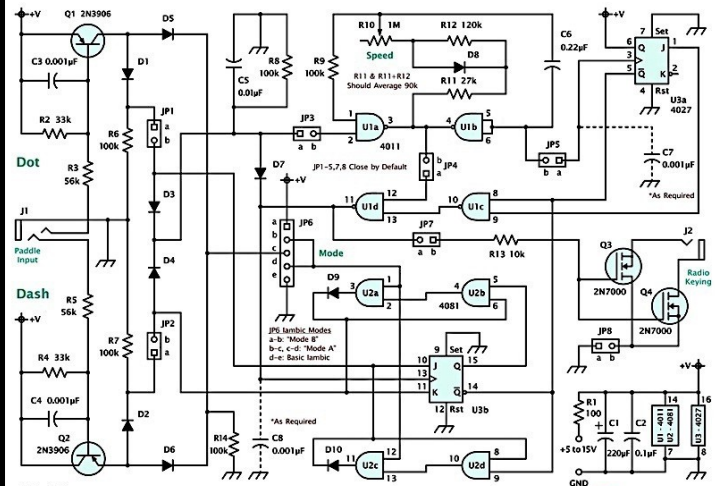
https://drive.google.com/file/d/13skuf1-joJ00bQbjJdiuYH__J5NwGkL9/view?usp=sharing

SPOT THE DIFFERENCE The right-hand image has 10 alterations. Can you spot them?



- Parts List:**
- R1 - 100k
 - R2 - 33k
 - R3 - 56k
 - R4 - 33k
 - R5 - 56k
 - R6 - 51k
 - R7 - 100k
 - R8 - 100k
 - R9 - 100k
 - R10 - 1M
 - R11 - 27k
 - R12 - 120k
 - R13 - 10k
 - R14 - 100k
 - R15 - 10k
 - R16 - 10k
 - C1 - 220pF
 - C2 - 0.01µF
 - C3 - 0.001µF
 - C4 - 0.001µF
 - C5 - 0.01µF
 - C6 - 0.22µF
 - C7 - 0.001µF
 - D1 - 1N4148
 - D2 - 2N3906
 - D3 - 1N4148
 - D4 - 1N4148
 - D5 - 1N4148
 - D6 - 1N4148
 - U1 - 4011 CMOS Quad NAND
 - U2 - 4081 CMOS Quad AND
 - U3 - 4027 CMOS JK Flip Flop
 - U4 - 4013 CMOS Quad Inverter
 - Q1 - 2N3906
 - Q2 - 2N3906
 - Q3 - 2N7000
 - Q4 - 2N7000
 - J1 - 1/P Mono Header
 - J2 - 1/P Mono Header
 - J3 - 2/P Stereo Header
 - J4 - 2/P Stereo Header
 - J5 - 2/P Stereo Header
 - J6 - 2/P Stereo Header
 - J7 - 2/P Stereo Header
 - J8 - 2/P Stereo Header

THE K4ICY MINTY KEYS
 MODE A/B IAMBIC • DOT/DASH MEMORY • PROGRESSIVE WEIGHTING
 Suitable for Mint Tins! REV 3.0 04/27/18 ©K4ICY



- Parts List:**
- R1 - 100k
 - R2 - 33k
 - R3 - 56k
 - R4 - 33k
 - R5 - 56k
 - R6 - 51k
 - R7 - 100k
 - R8 - 100k
 - R9 - 100k
 - R10 - 1M
 - R11 - 90k
 - R12 - 120k
 - R13 - 10k
 - R14 - 100k
 - R15 - 10k
 - R16 - 10k
 - C1 - 220pF
 - C2 - 0.01µF
 - C3 - 0.001µF
 - C4 - 0.001µF
 - C5 - 0.01µF
 - C6 - 0.22µF
 - C7 - 0.001µF
 - D1 - 1N4148
 - D2 - 2N3906
 - D3 - 1N4148
 - D4 - 1N4148
 - D5 - 1N4148
 - D6 - 1N4148
 - U1 - 4011 CMOS Quad NAND
 - U2 - 4081 CMOS Quad AND
 - U3 - 4027 CMOS JK Flip Flop
 - U4 - 4013 CMOS Quad Inverter
 - Q1 - 2N3906
 - Q2 - 2N3906
 - Q3 - 2N7000
 - Q4 - 2N7000
 - J1 - 1/P Mono Header
 - J2 - 1/P Mono Header
 - J3 - 2/P Stereo Header
 - J4 - 2/P Stereo Header
 - J5 - 2/P Stereo Header
 - J6 - 2/P Stereo Header
 - J7 - 2/P Stereo Header
 - J8 - 2/P Stereo Header

THE K4ICY MINTY KEYS
 MODE A/B IAMBIC • DOT/DASH MEMORY • PROGRESSIVE WEIGHTING
 Suitable for Mint Tins! REV 3.0 04/27/18 ©K4ICY

Answer: <https://drive.google.com/file/d/1mka2Ox2NmfapOcenwbwb0BdcV62MsWu/view?usp=sharing>



imgflip.com

SARC Newsletter Subscription: sarcnews@gmail.com
SARC Newsletter Archives: <https://sarc.org.au/weekly-newsletters/>

Our Disclaimer: The opinions expressed by contributors in SARC NEWS are theirs alone and do not reflect the opinions of the Summerland Amateur Radio Club or its Members. SARC is not responsible for the accuracy of any of the information supplied by the contributors...)