



SARCNEWS 2021:08:16

SARC RADIO NET NUMBERS/CHECK INS

Weekly HF Dawn Patrol – 75 – See report below.

Monday – 6

Tuesday – 10 – See Digi report below.

Wednesday – 7 - FT991A foibles

Thursday Net – 5 & 6 – See report below.

Friday Net – 9 - Good numbers tonight.

SARC nets and times <https://sarc.org.au/nets-broadcasts/>

Upcoming Events <https://sarc.org.au/events/>

UPCOMING EVENTS 2021

Redcliffe Car Boot Sale

Aug 28 @ 0800 – 1500 hrs

Dawn Patrol Report

- Chris B VK4YE

There were 75 check-ins to the Dawn Patrol for the week ending Friday, August 13, 2021 (Black Friday).

Thursday-Net Report

- Paul VK2AMT

On Woodburn 2 metre Repeater: 5.

We QSY'd to the Parrots Nest 6 metre repeater: 6.

Tuesday-Net Report

DIGITAL MODES

- Paul VK2AMT

AUGUST 10, 2021

This week's digi net had quite a rollcall of participants. Joining Paul VK2AMT as VK2SRC were Duncan VK2DLR, John VK2JWA, Andrew VK2AKK, Dave VK2ZDR, Rob VK2ELH, Ross VK2ARD, Jeff VK2WSR, Rob VK2ARL and Chris VK2ACD. Not everyone listed was there at the start but popped in at some point. Normally we would QSY to 144.230 USB but tonight we dropped down to 80 metres. The frequency we used was 3.578 USB, in the digital portion of the band.

Dave, Duncan, Rob VK2ARL and Jeff followed me. We used Fldigi and Olivia 8-500. Signals on 80 metres were fine, even though the noise from my QTH was S8-9. Jeff on voice was a struggle to me but digi decode was perfect. Rob was only with us for one over then went back to the workbench. We generally reduced power after the first over to around the 20-25 watt mark. Jeff was using acoustic coupling, no Signalink, but it worked fine. He decoded everyone. Chris VK2ACD dropped in at about 9.30 and stayed until the end at 10.15.

A great net, everyone enjoyed being on HF. Dave was S9 to Duncan, the best signal he has ever received from him. Olivia 8-500 once again proved its worth. Later in the year when storms and static crashes will increase may change readability and decoding accuracy but at the moment everyone had a great night. Thanks to all who participated.

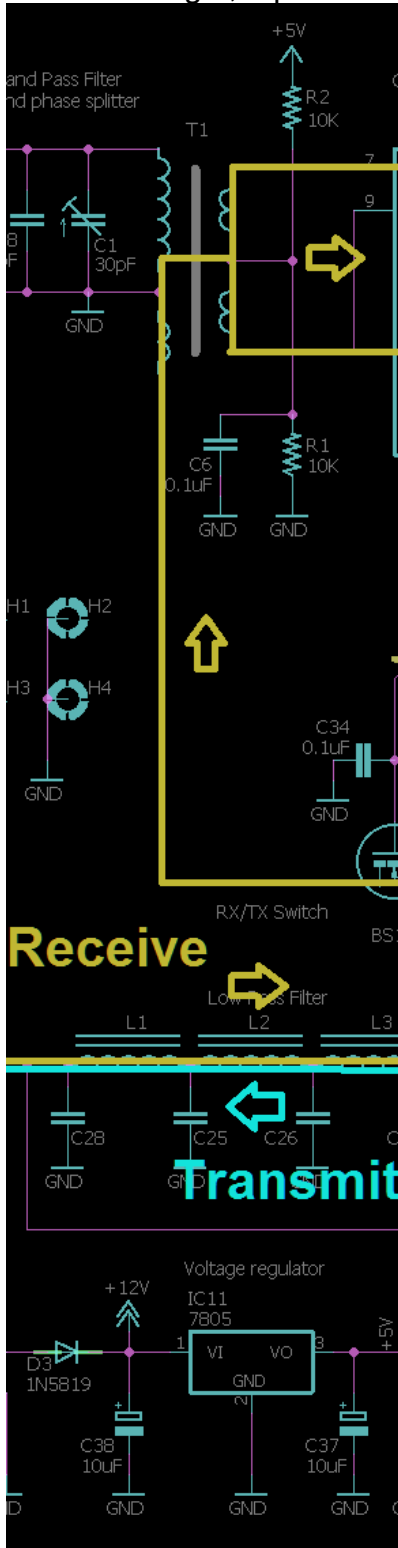
Cheers from Paul VK2AMT

FUN PAGE

Last week's solution to Remembrance Day word search was "Victory in the Pacific", provided by Eric VK2VE

Find the words in the grid. Words can go horizontally, vertically, and diagonally in all eight directions.

When you are done, the unused letters in the grid will spell out a hidden message. Pick them out from left to right, top line to bottom line.



TROUBLESHOOTING #1

T L R O U B B U R N O U T E S T I N G L
 F E E P O C S O L L I C S O E S H S O B
 R O T A N I N G A N Y D D R B E P M L S
 E A I O K R S O S T F E E H O L E O E C
 E T I R O Y N D L H D I E C R G W K L E
 Z S C A R N T U A N O A E E P N I E U D
 E O O N O T A F U E T R L B F P R E R E
 S V N K A F A O I G L O T U S E Y V T C
 P E T C R M R T U R C T S E Z Z T I I I
 R R I O C G S N R A D E S Y D I E T L T
 A H N H I Y S M L A Y I L E S U F C P A
 Y E U S N T E I O A C A S I T Q A E S R
 S A I C G A Z L W T N K L T C S S F F R
 S T T U B E J A B A P E I C O H T E L E
 O E Y I T I N S M U O M R N E R E D A L
 L D S A T U R A T I O N Y I G K T C H E
 D A O L R E V O D E T R E S A I B C K T
 I S C H E M A T I C S V T E R I P P L E
 L A U N A M E C I V R E S B R O K E N W
 T C E P S N I O R E T E M I T L U M R K

ANALYZER	ERRATIC	MULTIMETER	SCHEMATICS
ARCING	FAULTY	NOISE	SERVICEMANUAL
BIAS	FREEZESPRAY	OSCILLOSCOPE	SHOCK
BLOWNFUSE	FUSE	OVERHEATED	SHORTED
BROKEN	GROUNDING	OVERLOAD	SMOKE
BURNOUT	HALFSPLITRULE	PROBES	SPIKES
CHECK	HEATGUN	QUIZ	SYMPTOMS
CONTINUITY	INSPECT	RIPPLE	TESTING
DEFECTIVE	LEAKY	RUNAWAY	TESTLEADS
DISTORT	LOCALIZE	SAFETY	TRACKING
DRIFT	LOSSY	SATURATION	TROUBLE

MESSAGE: _____

SARC Newsletter Archives: <https://sarc.org.au/weekly-newsletters/>

Our Disclaimer: The opinions expressed by contributors in SARC NEWS are theirs alone and do not reflect the opinions of the Summerland Amateur Radio Club or its Members. SARC is not responsible for the accuracy of any of the information supplied by the contributors... :)